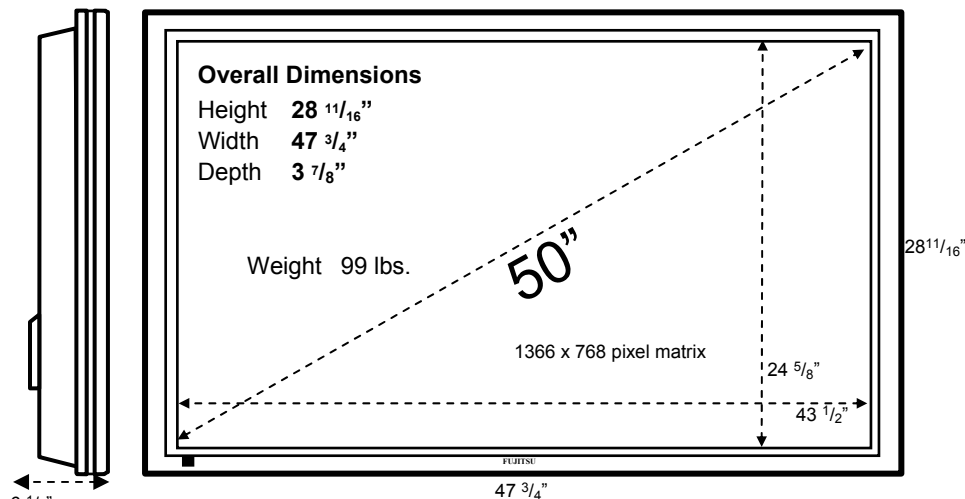


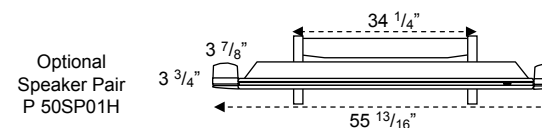
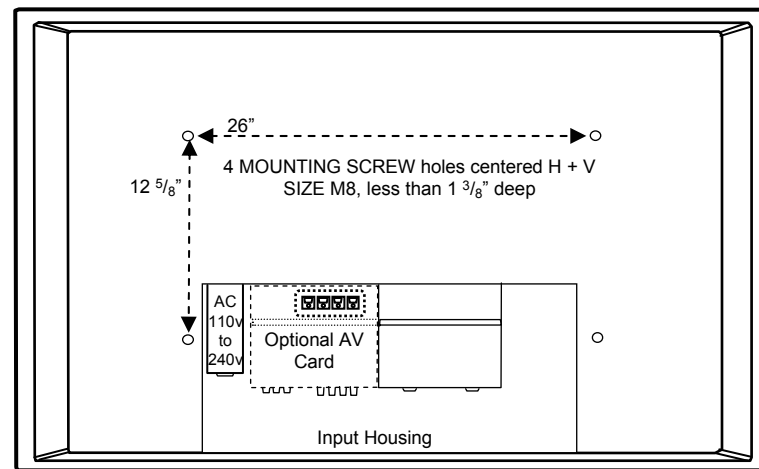
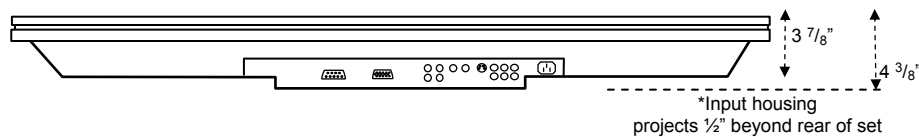


Plasmavision™

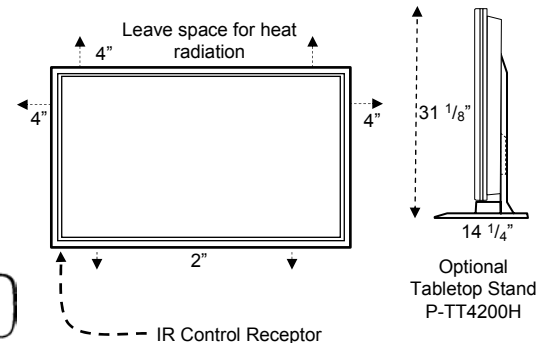
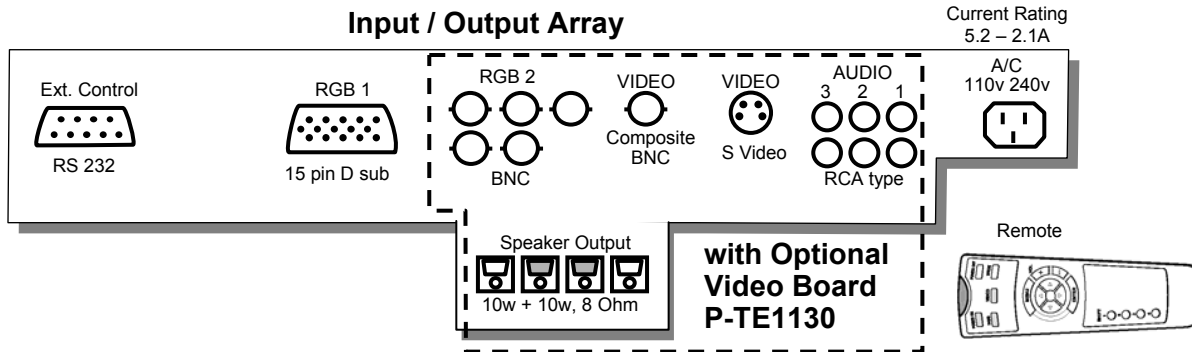
50 inch P50XCA30 Wide-XGA Flat Plasma Display Dimensions



6 1/8"
Total Mounting
Depth
with Optional
Wall Bracket
P50XP1B



Input / Output Array



Use this for general information when deciding the location and placement of this product. The dimensions are approximate. When creating a custom built environment for the product, measure the specific unit first, then finish carpentry. When recessing the unit in a wall cavity, allow 4" ventilation space above top exhaust vents, as well as to the left and right of side exhaust vents, air intake vents on bottom. Allow 2" space immediately behind unit. See separate "Installation Conditions" manual. Not responsible for typographical or graphic errors. These descriptions, measurements and drawings are subject to change without notice. © 2004, Fujitsu General America Inc.